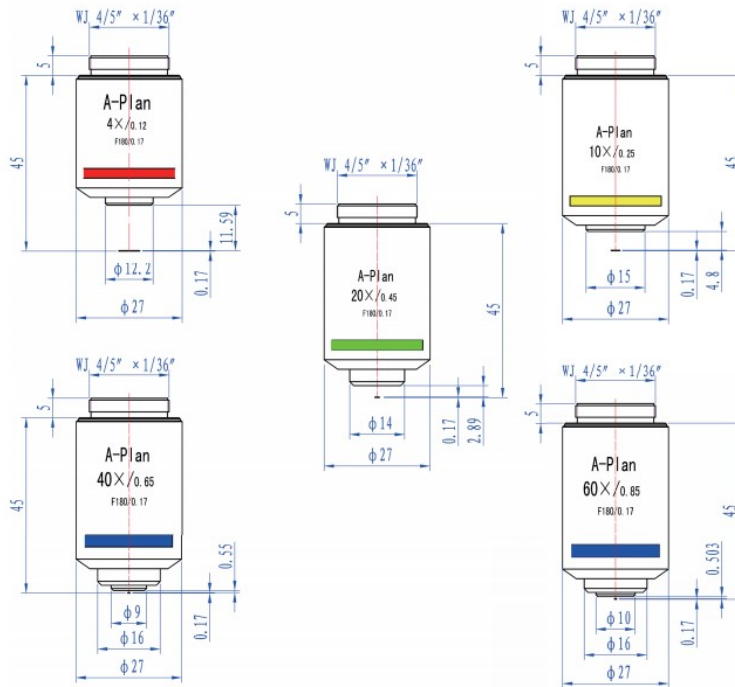




Microscope Objectives Plan Achromatic

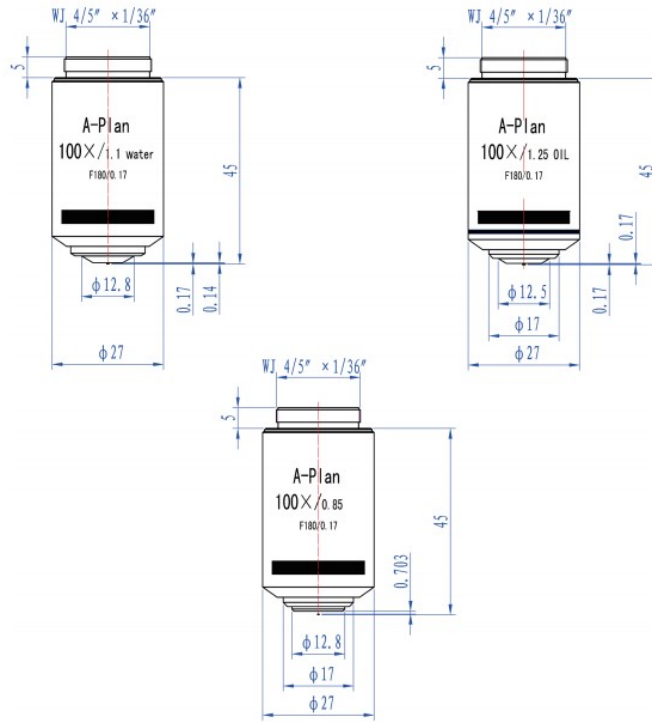


Plan Achromatic					
Magnification	4X	10X	20X	40X	60X
Numerical Aperture	0.12	0.25	0.45	0.65	0.85
Working Distance (mm)	11.59	4.8	2.89	0.55	0.503
Slide CT (mm)	0.17	0.17	0.17	0.17	0.17
Focus Length (mm)	45	18	9	4	3
BFL (mm)					
Conjugate Distance (mm)	∞	∞	∞	∞	∞
Tube Length (mm)	180	180	180	180	180
Wavelength (nm)	400-700	400-700	400-700	400-700	400-700
Resolution (μm)	2.3	1.1	0.6	0.4	0.3
Physical Depth of Focus (μm)	27.5	4.4	1.4	0.7	0.4
Thread	W4/5' x 1/36'				

🌐 : www.shanghai-optics.com

✉ : rfq@shanghai-optics.com

☎ : 732-321-6915



Plan Achromatic (Dry/Oil/Water)			
Magnification	100X	100X (Oil)	100X (Water)
Numerical Aperture	0.85	1.25	1.1
Working Distance (mm)	0.703	0.17	0.14
Slide CT (mm)	0.17	0.17	0.17
Focus Length (mm)	1.8	1.8	1.8
BFL (mm)			
Conjugate Distance (mm)	∞	∞	∞
Tube Length (mm)	180	180	180
Wavelength (nm)	400-700	400-700	400-700
Resolution (μm)	0.32	0.25	0.22
Physical Depth of Focus (μm)	0.38	0.3	0.27
Thread	W4/5' x 1/36'		

: www.shanghai-optics.com

: rfq@shanghai-optics.com

: 732-321-6915